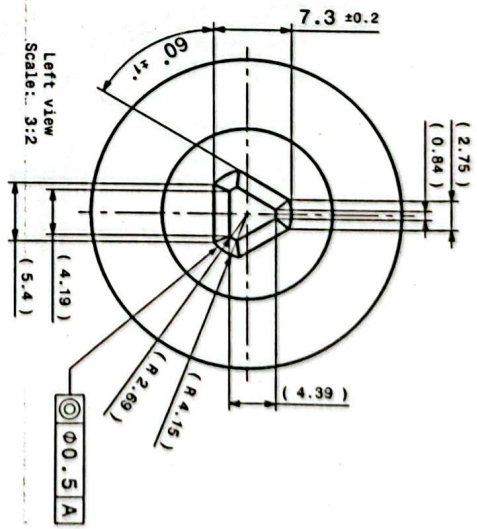
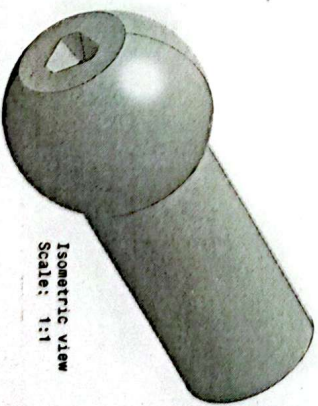


Front view
Scale: 3:2




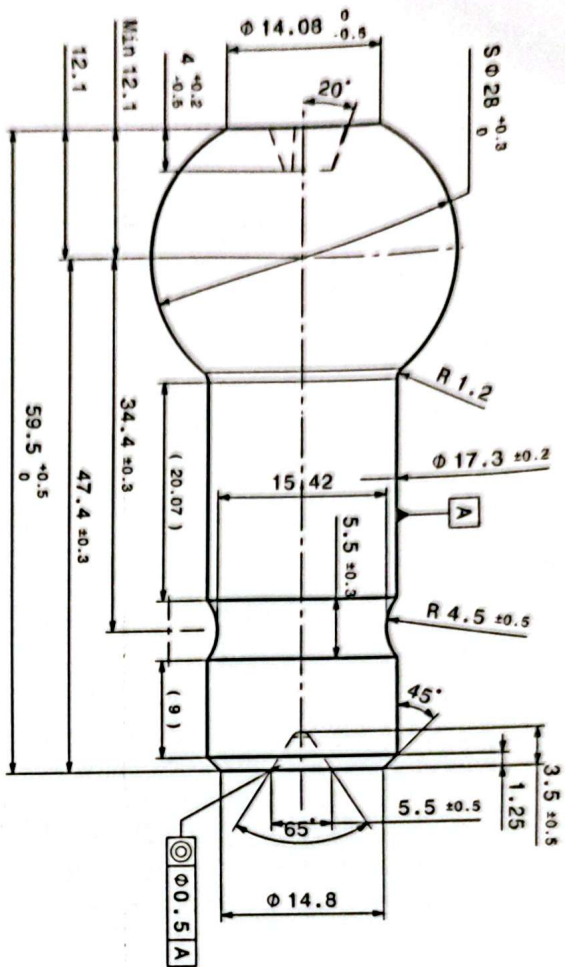
Left view
Scale: 3:2



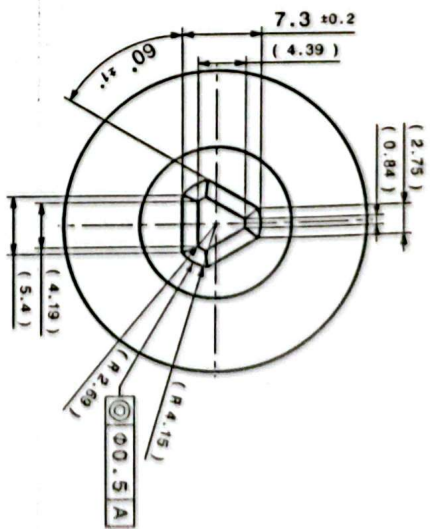
Isometric view
Scale: 1:1

Surface flaws depth on sphere portion: max 1mm
Holder places must be free of any defect (cruch,...)

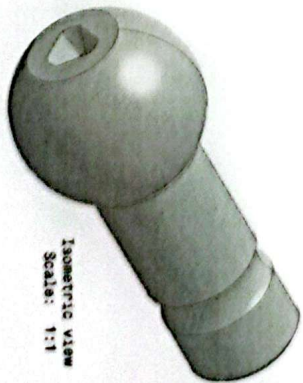
		Project Name: Ball Stud Title: Ball Stud		Drawing No: Non-Specified tolerances: ISO 2768-mK	
SAIPA AZARAVIJ TABRIZ Control Arm		Process: Forging		Part No: Scale: 3:2	
Name: Hajmtrzaei		Date: 02/11/17		Assembly No: Surface treatment: Shot blast	
Designed: Hajmtrzaei		Date: 02/11/15		Heat treatment: Quench Tempering	
Drawn: Gollizadeh		Date: 02/11/16		Micro structure: Tempered Martensite	
Checked: Hajmtrzaei		Date: 02/11/16		Hardness: 26-30 HRC	
Approved: Ipchl		Date: 02/11/17		Weight: 183g	
				Grain size: 5-8	



Front view
Scale: 3:2



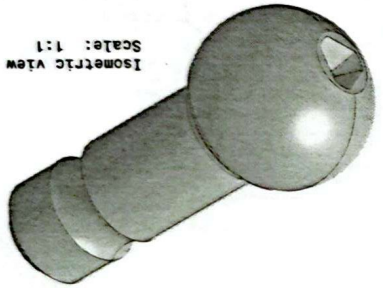
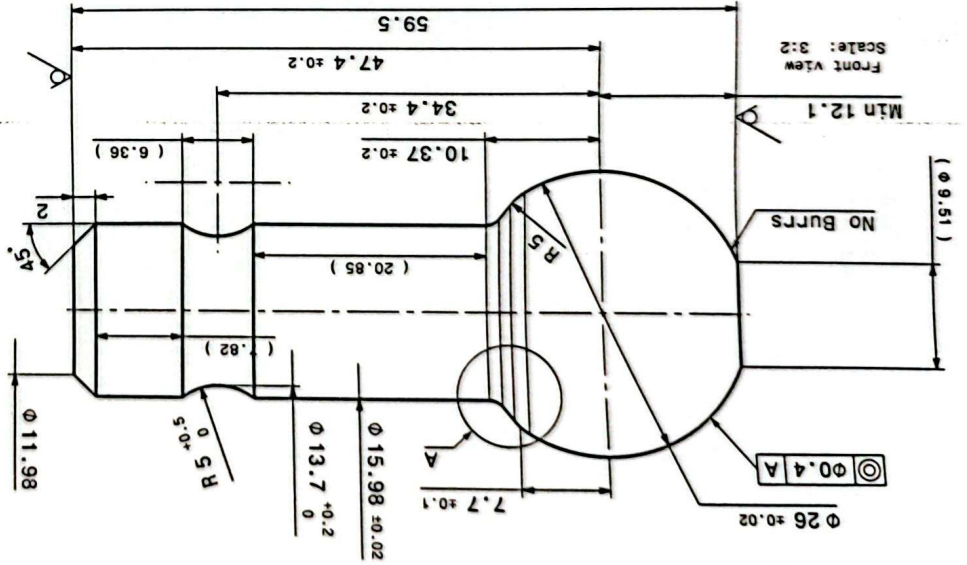
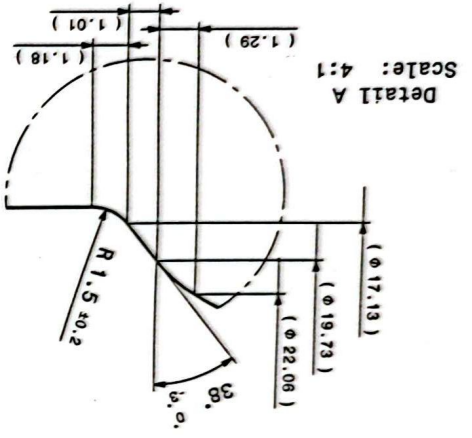
Left view
Scale: 3:2



Isometric view
Scale: 1:1

	SAIPA	Project Name:	Ball Stud	Drawing No:	Non-Specified
	AMIRYUL		Pride		
	YABRIZ	Control Arm		Part No:	Scale:
	Name	Date	Process:	Assembly No:	3:2
			Rough CNC	Surface treatment:	Shot Blast	Size:
Designed	Hajimrzaei	02/11/15	Title:	Material:	41Cr4/42CrMo4	Sheet:
Drawn	Golizadeh	02/11/16	Process:	Heat treatment:	Quench Tempering	1/1
Checked	Hajimrzaei	02/11/16	Hardness:	Micro structure:	Tempered Martensite	Quantity:
Approved	Ipcht	02/11/17	Weight:	Grain size:	151g	5-8

SAIPA AZARBAIYA TABRIZ	Project Name: Pride Control Arm	Process: CNC	Drawing No: ---		Part No: ---		Assembly No: ---		Scale: 3
			Title: Ball Stud	Drawing No: ---		Part No: ---		Assembly No: ---	
Project Name: Pride Control Arm			Date: ---		Material: 41Cr4/42CrMo4		Heat treatment: Quench Tempering		Sheet: ---
Designed: Hajimrzaei 02/11/15			Date: 02/11/16		Hardness: 26-30 HRC		Micro structure: Tempered Martensite		
Drawn: Golizadeh 02/11/16			Date: 02/11/17		Weight: 124g		Grain size: 124g		Quantity: ---
Checked: Hajimrzaei 02/11/16			Date: 02/11/17		Approved: Ipoht		Grain size: 124g		
Approved: Ipoht			Date: 02/11/17		Weight: 124g		Grain size: 124g		5-8



1.6 (A) (A)